



US006240435B1

(12) **United States Patent**
Sibeykin

(10) **Patent No.:** **US 6,240,435 B1**
(45) **Date of Patent:** **May 29, 2001**

(54) **METHOD AND DEVICE OF DETERMINATION OF AN INPUT SIGNAL WHICH CHANGES IN TIME**

(76) Inventor: **Sergei Sibeykin**, 2302 81 St., Brooklyn, NY (US) 11214

(*) Notice: Subject to any disclaimer, the term of this patent is extended or adjusted under 35 U.S.C. 154(b) by 0 days.

(21) Appl. No.: **09/084,340**

(22) Filed: **May 26, 1998**

(51) **Int. Cl.**⁷ **G06F 15/00**

(52) **U.S. Cl.** **708/444; 702/142**

(58) **Field of Search** **708/200, 433, 708/444, 290; 702/141, 142, 144, 146, 147**

(56) **References Cited**

U.S. PATENT DOCUMENTS

4,030,038	*	6/1977	Daniel et al.	327/339
5,031,134	*	7/1991	Kaplan et al.	708/444
5,490,067	*	2/1996	Teguri et al.	701/46
5,790,442	*	8/1998	Ninomiya et al.	708/444

* cited by examiner

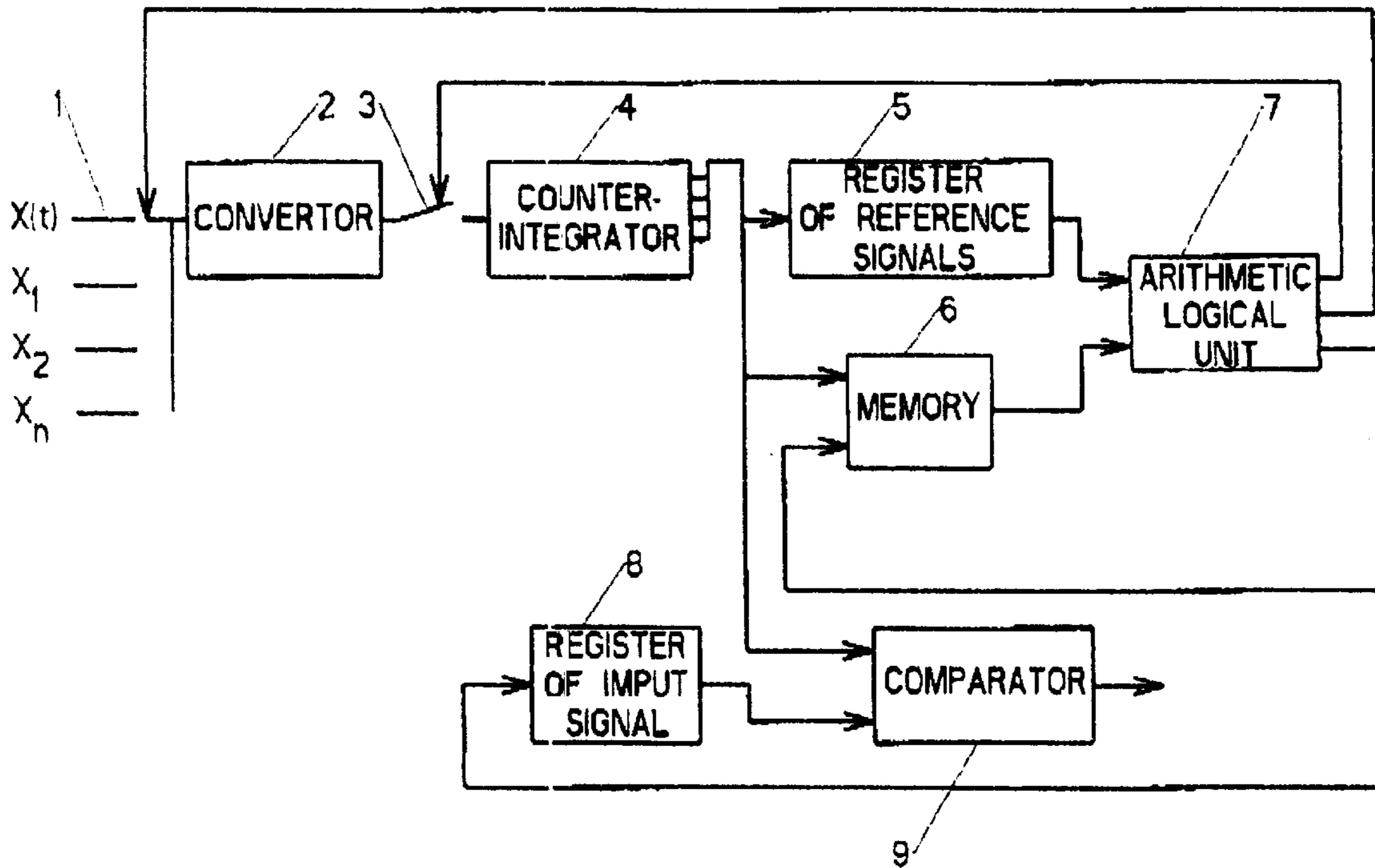
Primary Examiner—Chuong Dinh Ngo

(74) *Attorney, Agent, or Firm*—I. Zborovsky

(57) **ABSTRACT**

A method of determination an input signal changed in time and its integral value has the steps of integrating an input signal to a given value of an integration result for a final point, and performing calculations also for a plurality of intermediate points.

2 Claims, 2 Drawing Sheets



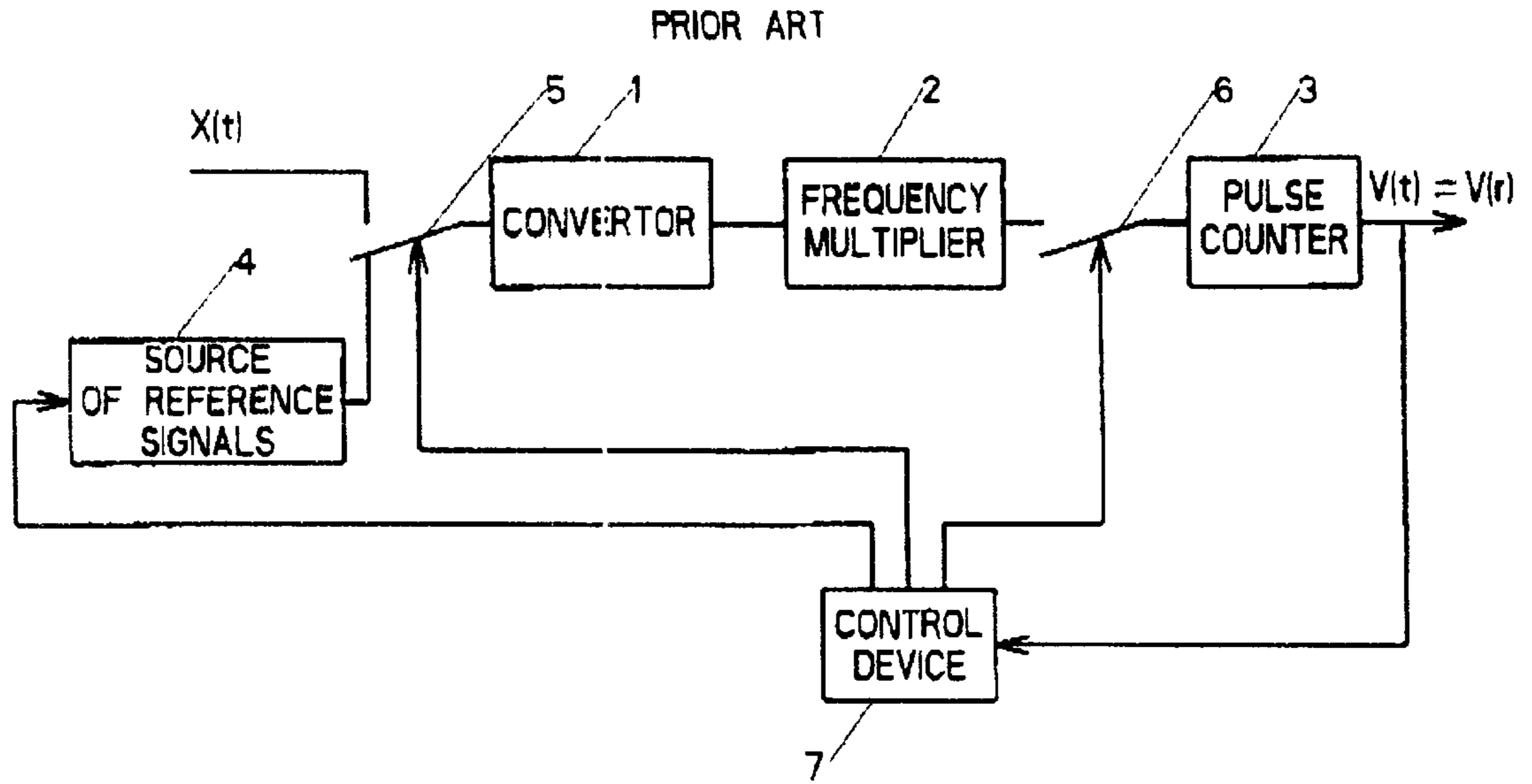


FIG. 1

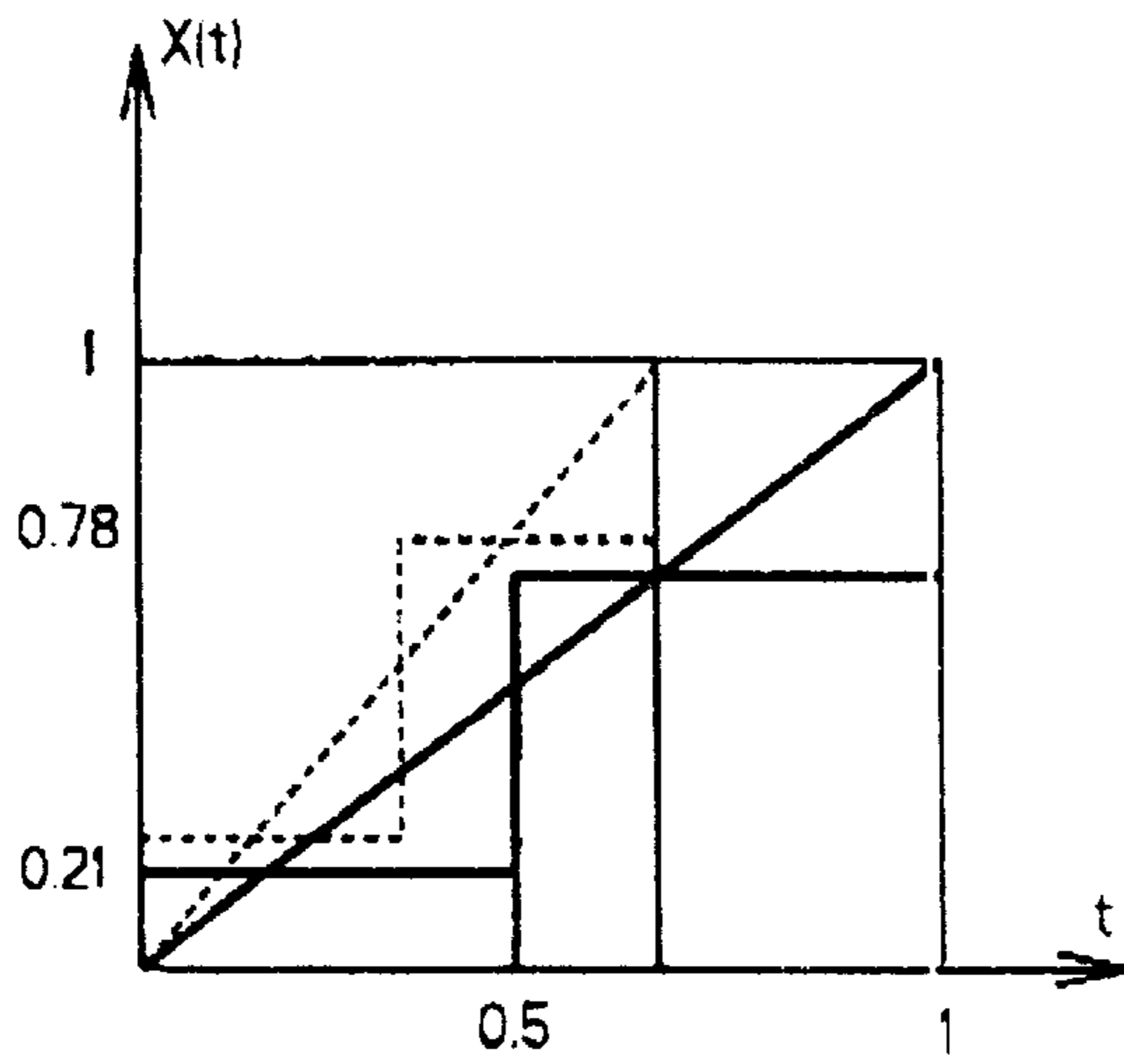


FIG. 2

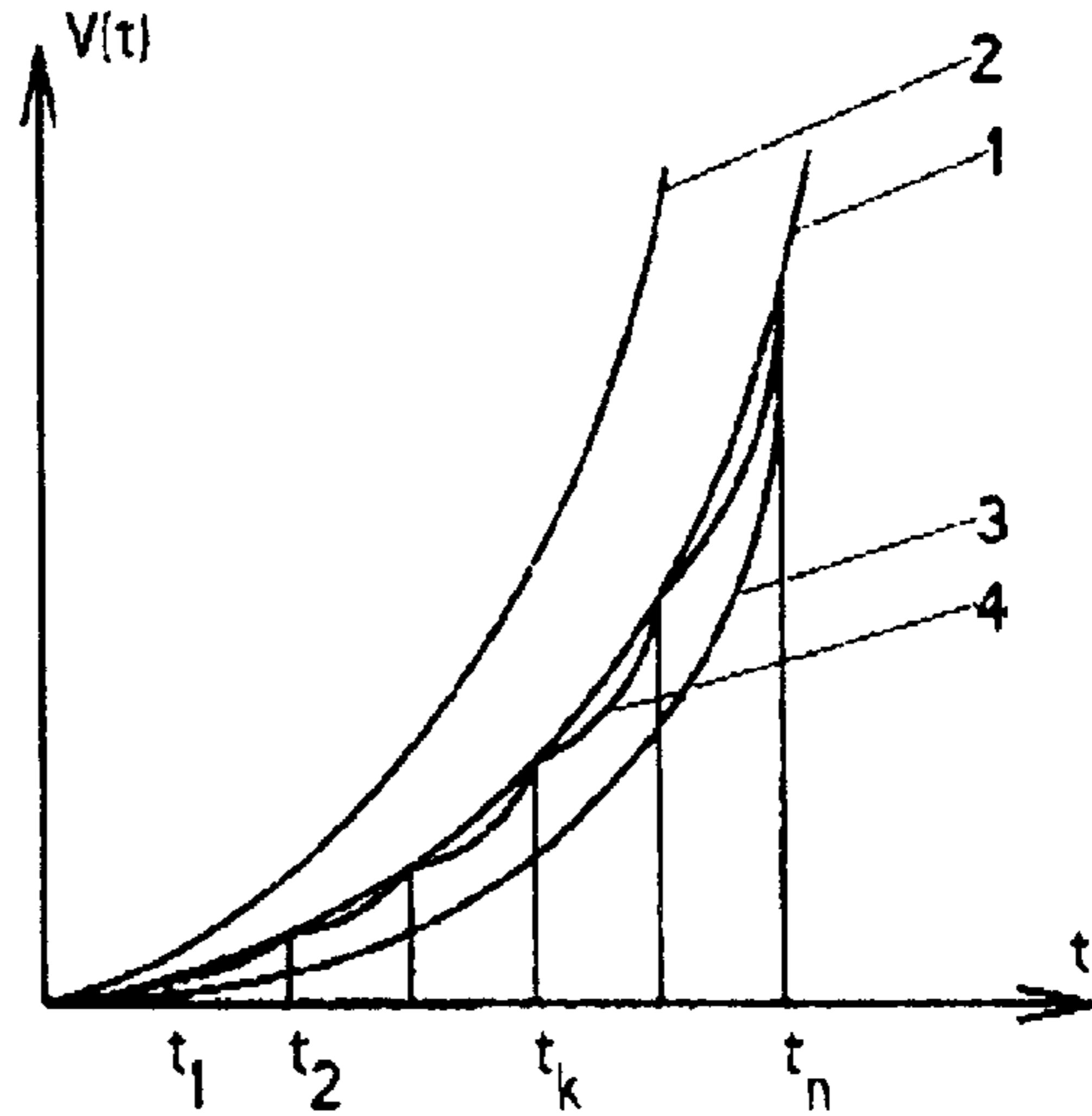


FIG. 3

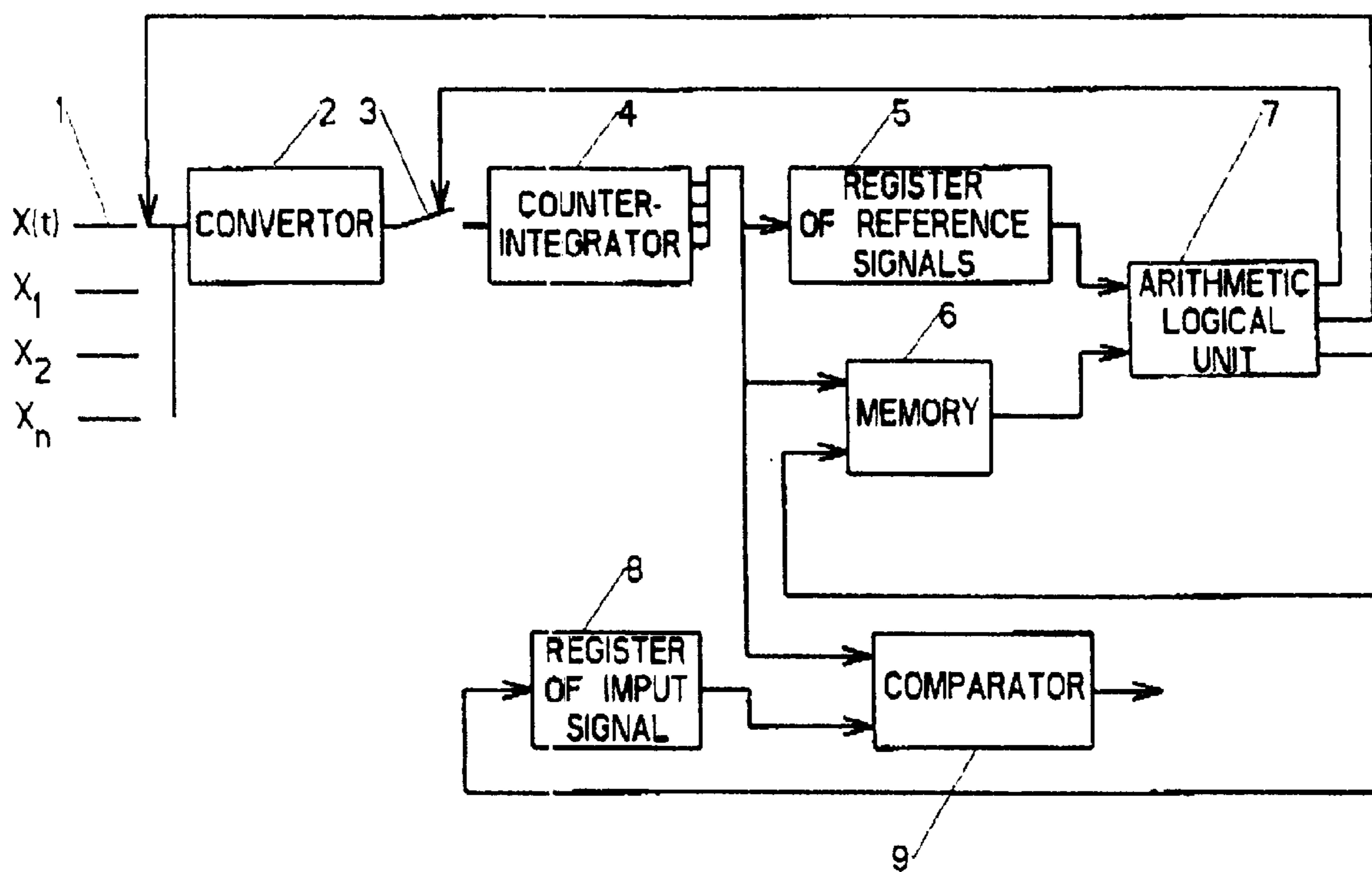


FIG. 4